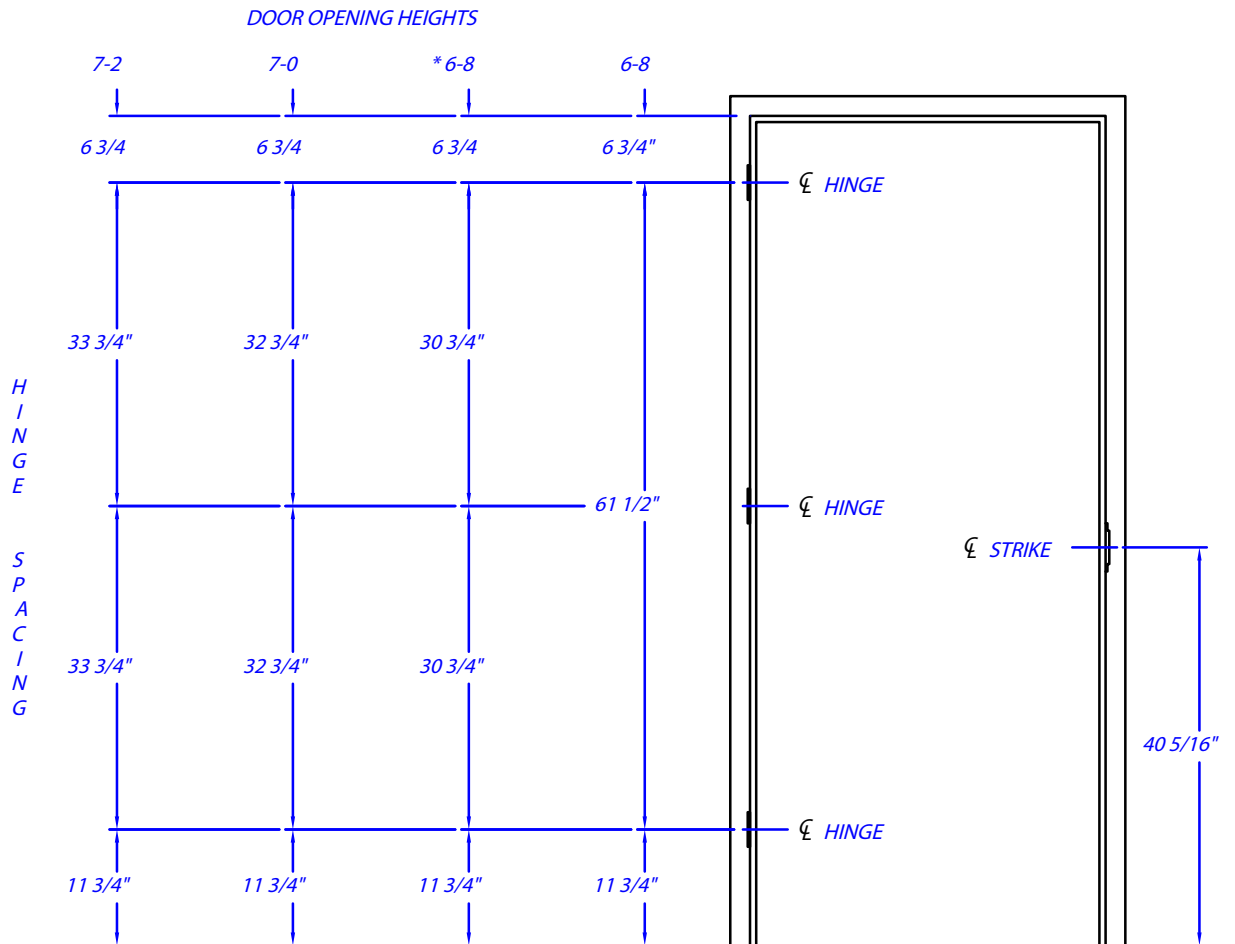


STANDARD HARDWARE LOCATIONS FOR DOOR FRAMES

TECHNICAL DATA SHEET No. 509

6-8, 7-0 & 7-2 Heights with 3-1/2" Hinges

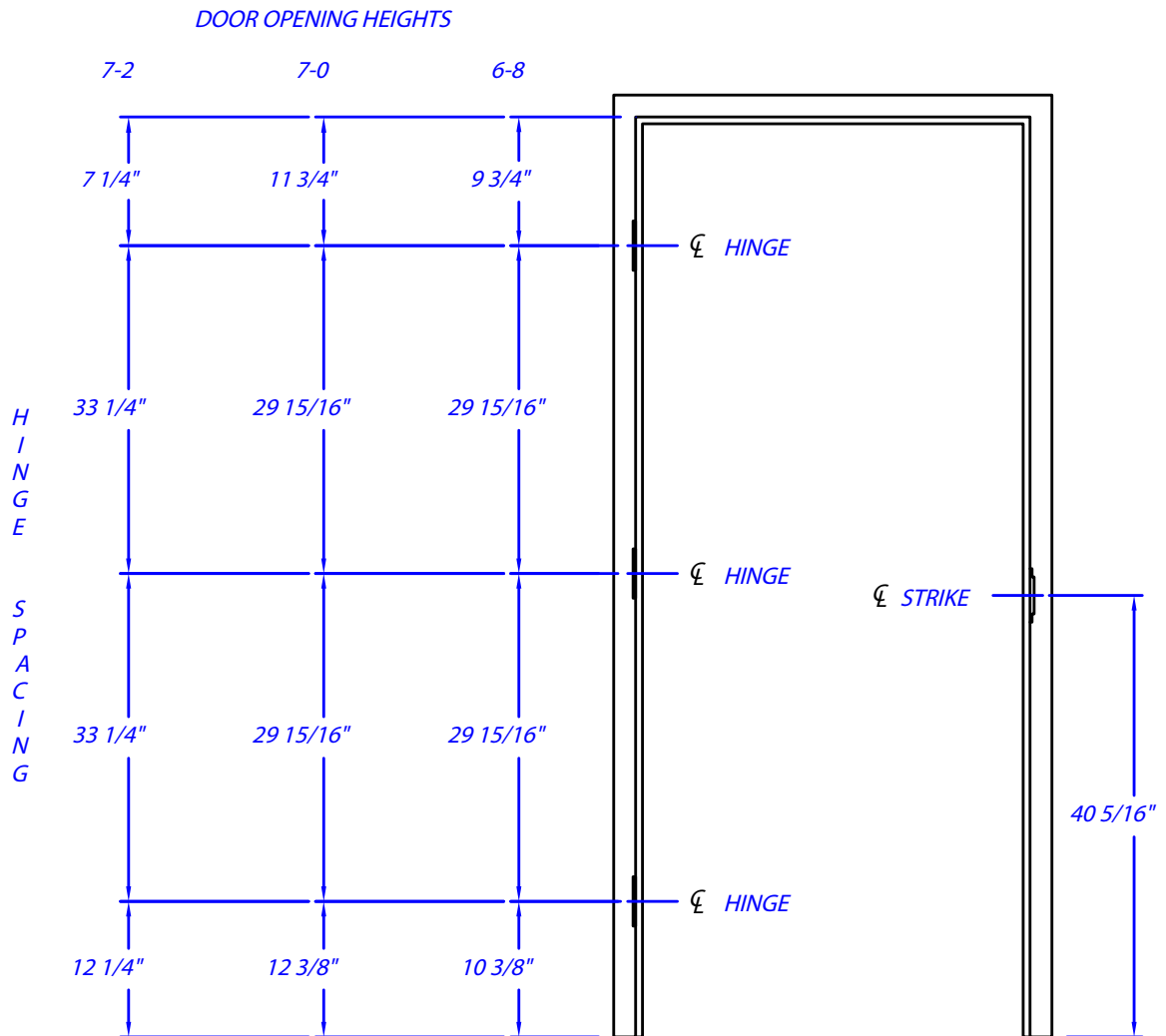


The hardware locations shown are for 1-3/8" door frames, for heights shown with 3-1/2" hinges, and will be furnished unless otherwise agreed to.

Revised 9/14

STANDARD HARDWARE LOCATIONS FOR DOOR FRAMES

6-8, 7-0 & 7-2 Heights with 4-1/2" Hinges

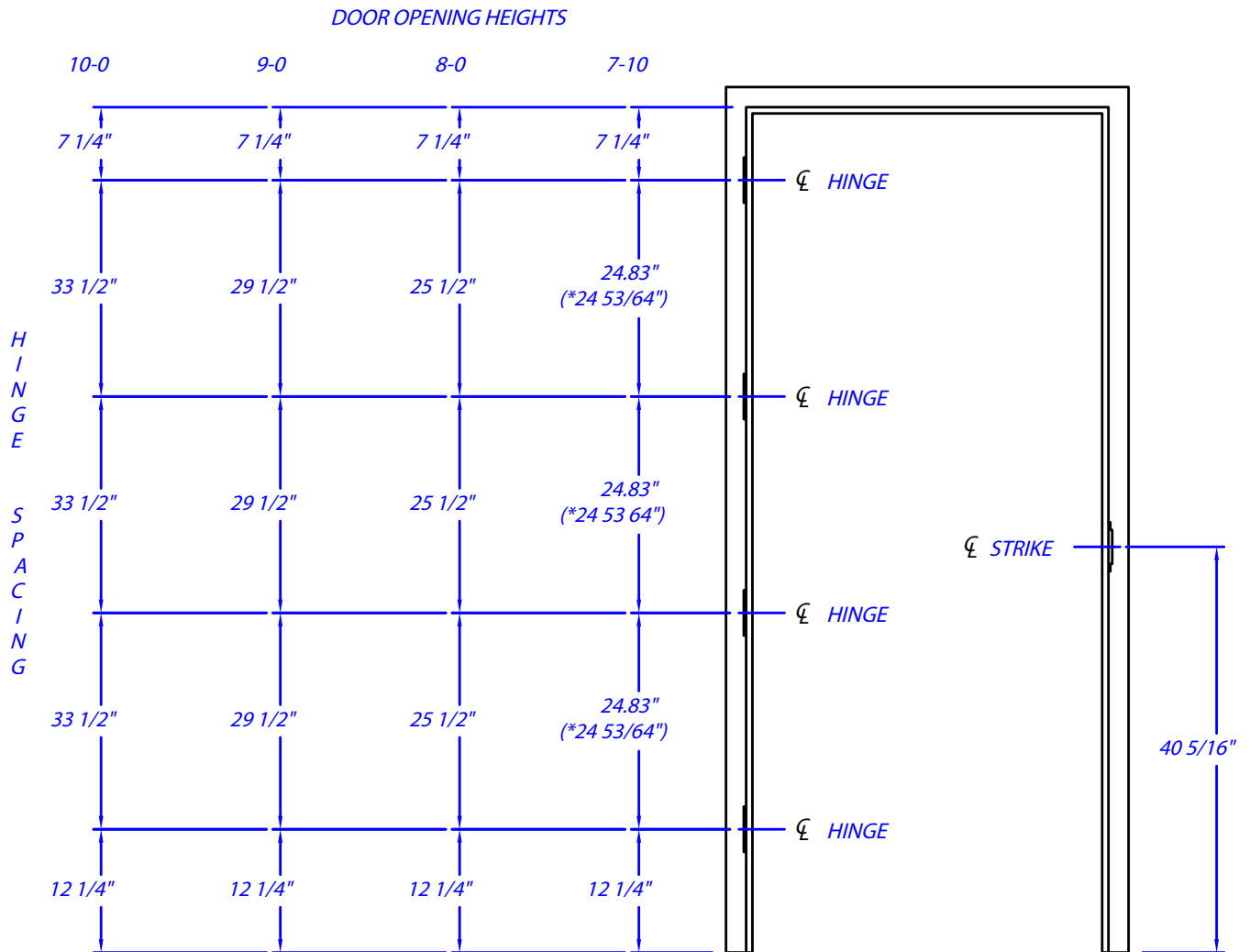


The hardware locations shown are for 1-3/4" door frames, for heights shown with 4-1/2" hinges, and will be furnished unless otherwise agreed to.

Revised 9/14

STANDARD HARDWARE LOCATIONS FOR DOOR FRAMES

7-10, 8-0, 9-0 & 10-0 Heights with 4-1/2" Hinges



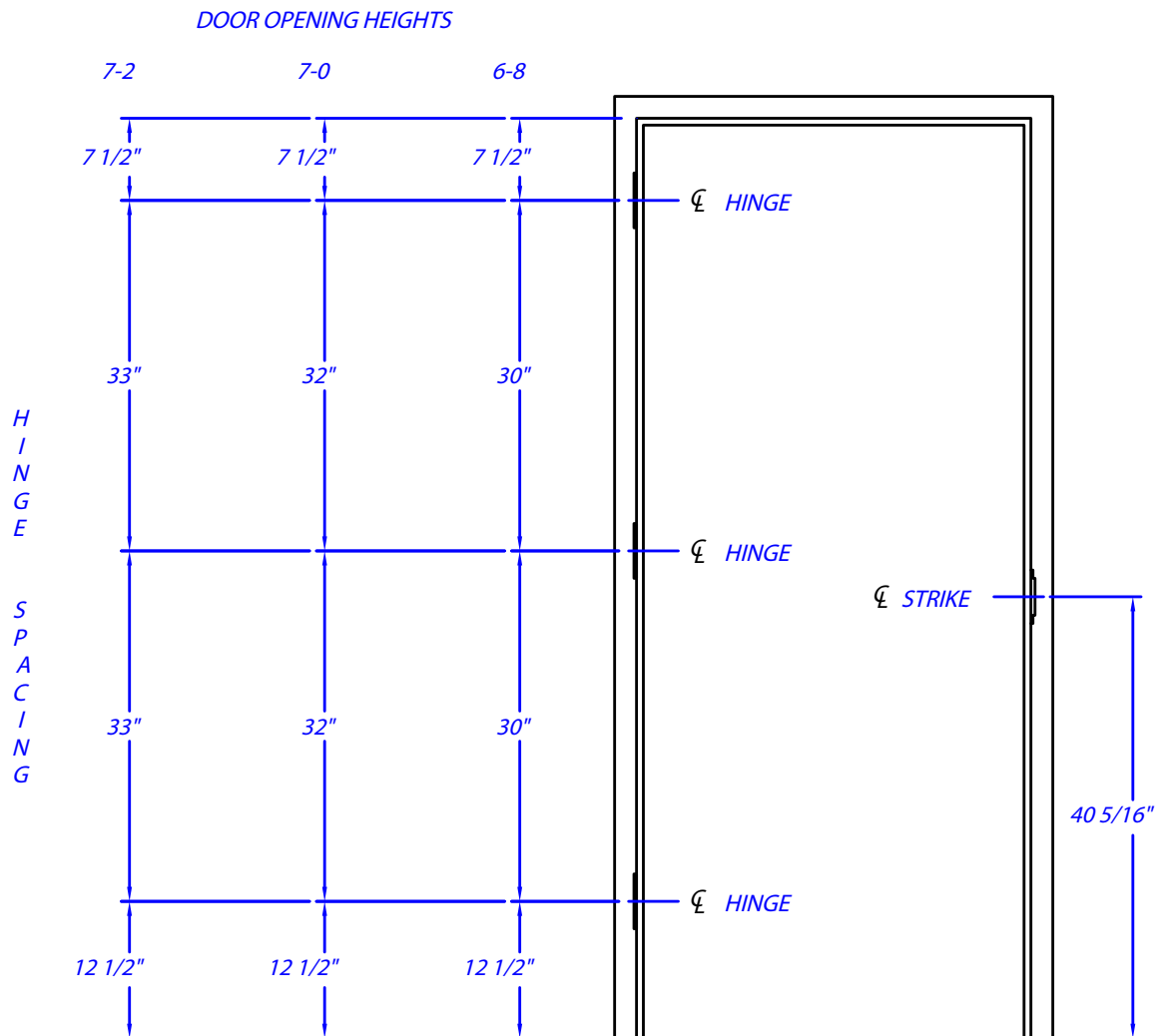
*53/64" represents a measurable approximation to .83".

The hardware locations shown are for 1-3/4" door frames, for heights shown with 4-1/2" hinges, and will be furnished unless otherwise agreed to.

Revised 9/14

STANDARD HARDWARE LOCATIONS FOR DOOR FRAMES

6-8, 7-0 & 7-2 Heights with 5" Hinges



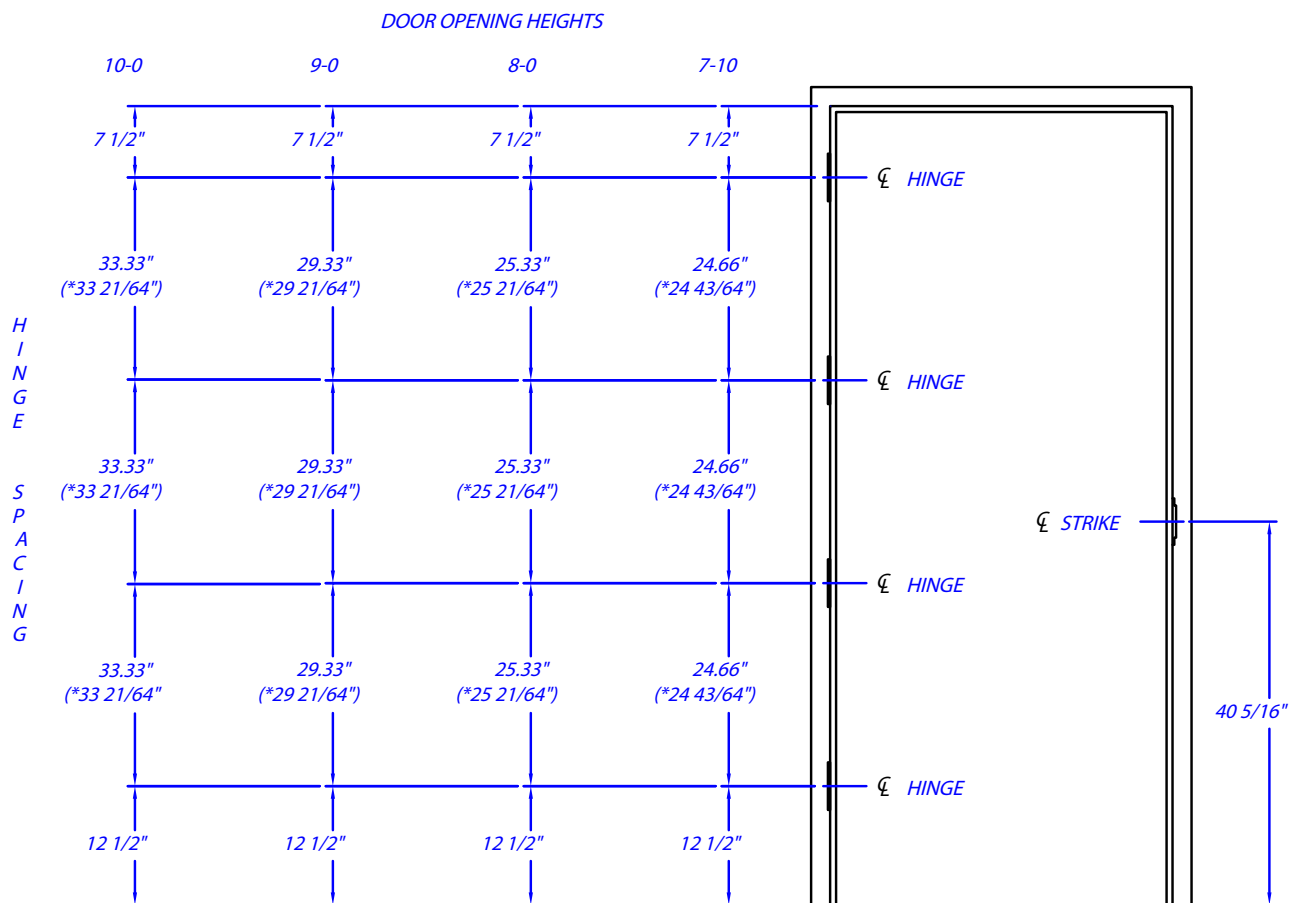
Revised 9/14

The hardware locations shown are for 1-3/4" door frames, for heights shown with 5" hinges, and will be furnished unless otherwise agreed to.

STANDARD HARDWARE LOCATIONS FOR DOOR FRAMES

TECHNICAL DATA SHEET No. 513

7-10, 8-0, 9-0 & 10-0 Heights with 5" Hinges



*21/64" represents a measurable approximation to .33".

*43/64" represents a measurable approximation to .66".

Revised 9/14

The hardware locations shown are for 1-3/4" door frames, for heights shown with 5" hinges, and will be furnished unless otherwise agreed to.

NAAMM ALTERNATE HARDWARE LOCATIONS FOR DOOR FRAMES

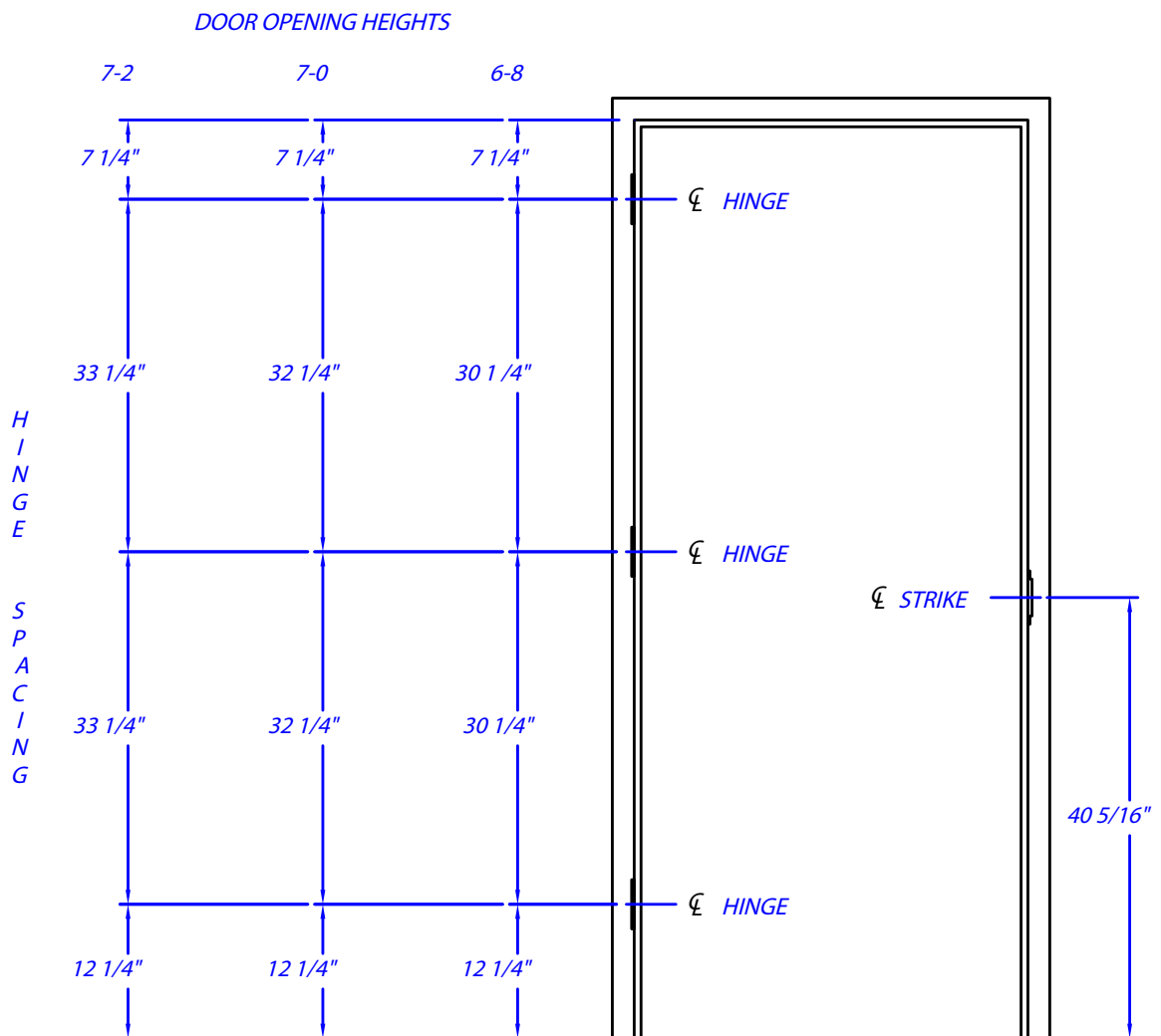
6-8, 7-0 & 7-2 Heights with 4-1/2" Hinges

HARDWARE LOCATIONS SHOWN ARE BASED ON THE FOLLOWING:

5" from header to top of upper hinge.

10" from bottom of jamb to bottom of lower hinge.

Equal spacing between intermediate hinges.



The above 4-1/2" hardware locations will be furnished only when agreed to.

Revised 9/14

NAAMM ALTERNATE HARDWARE LOCATIONS FOR DOOR FRAMES

TECHNICAL DATA SHEET No. 515

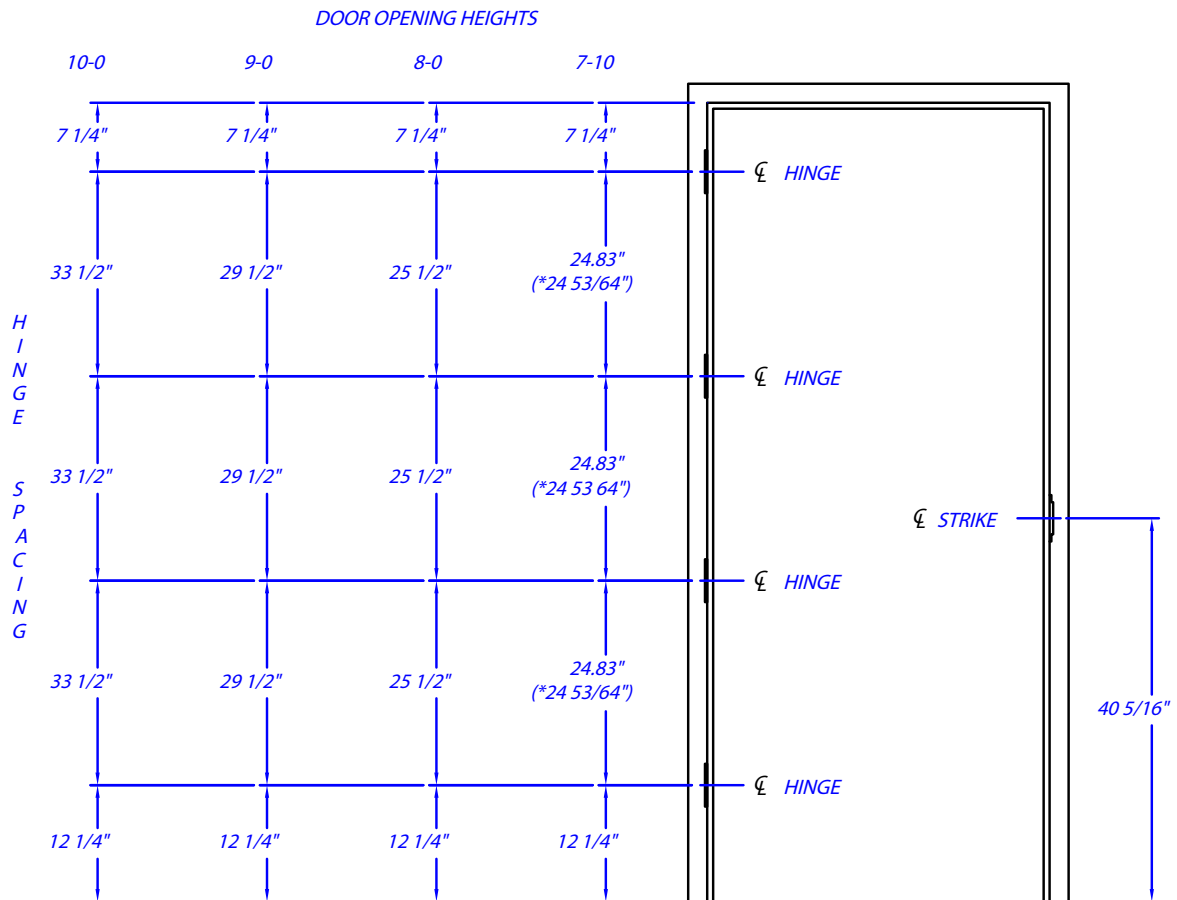
7-10, 8-0, 9-0 & 10-0 Heights with 4-1/2" Hinges

HARDWARE LOCATIONS SHOWN ARE BASED ON THE FOLLOWING:

5" from header to top of upper hinge.

10" from bottom of jamb to bottom of lower hinge.

Equal spacing between intermediate hinges.



*53/64" represents a measurable approximation to .83".

The above 4-1/2" hardware locations will be furnished only when agreed to.

Revised 9/14

NAAMM ALTERNATE HARDWARE LOCATIONS FOR DOOR FRAMES

TECHNICAL DATA SHEET No. 516

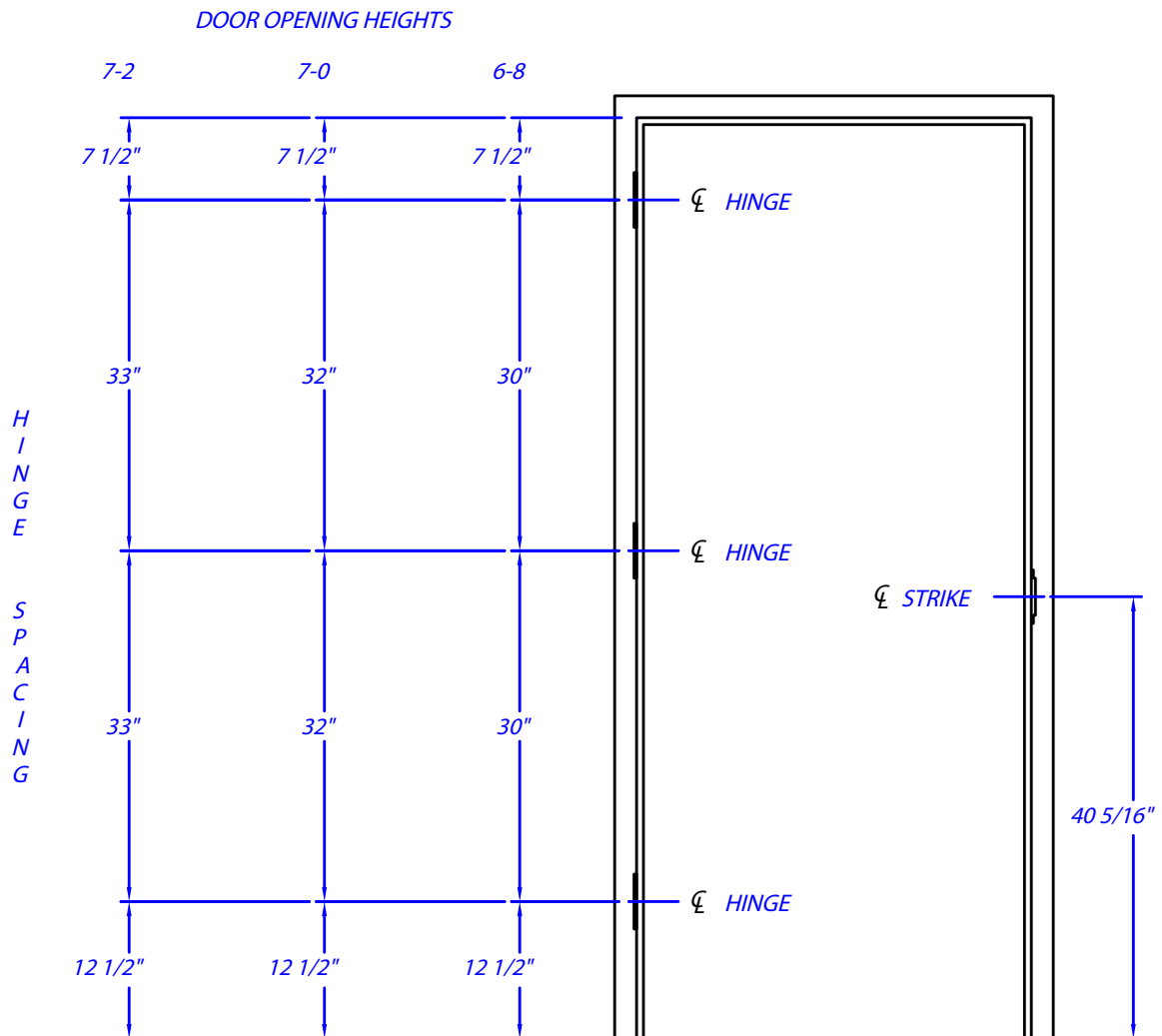
6-8, 7-0 & 7-2 Heights with 5" Hinges

HARDWARE LOCATIONS SHOWN ARE BASED ON THE FOLLOWING:

5" from header to top of upper hinge.

10" from bottom of jamb to bottom of lower hinge.

Equal spacing between intermediate hinges.



The above 5" hardware locations will be furnished only when agreed to.

Revised 9/14

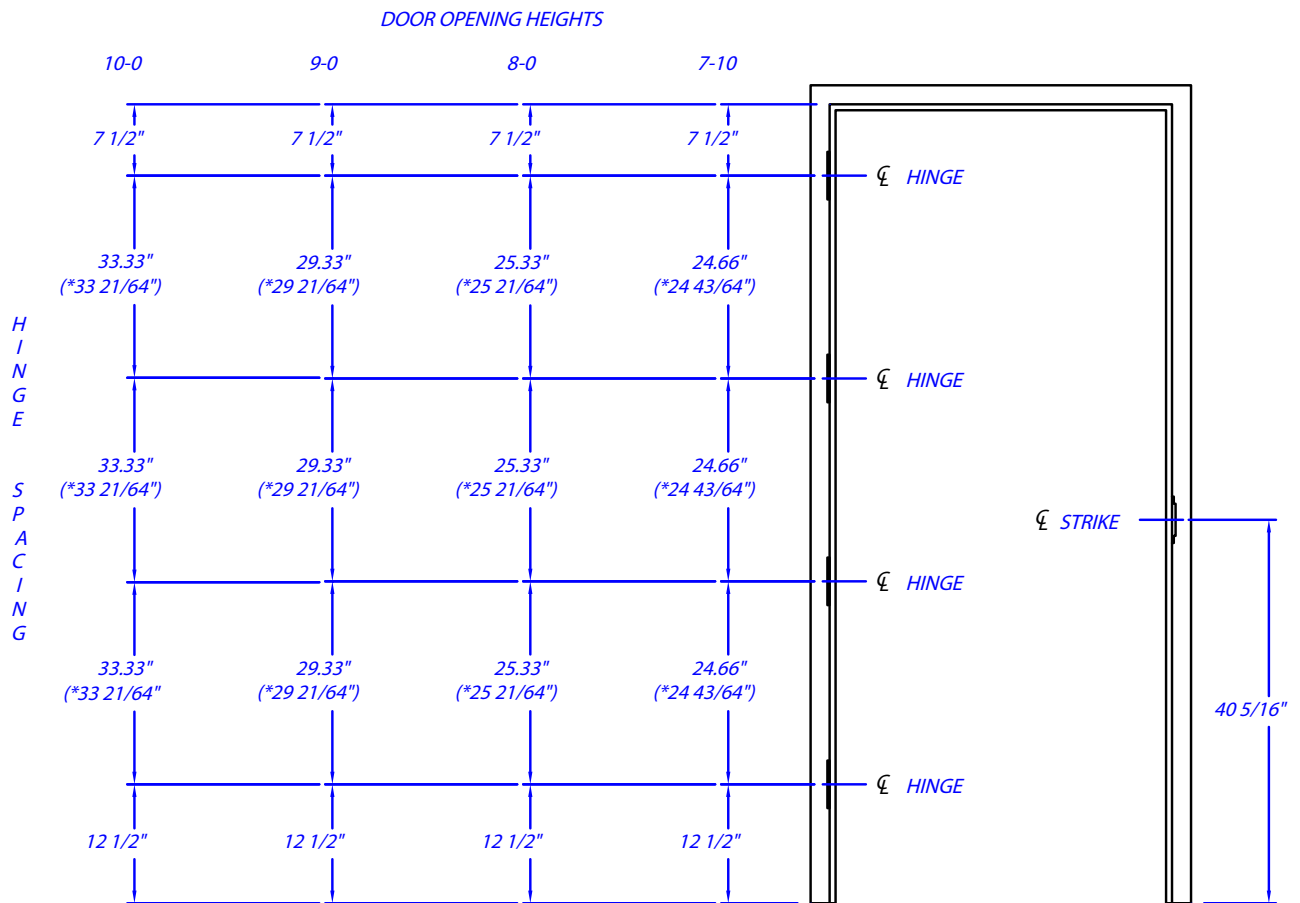
NAAMM ALTERNATE HARDWARE LOCATIONS FOR DOOR FRAMES

TECHNICAL DATA SHEET No. 517

7-10, 8-0, 9-0 & 10-0 Heights with 5" Hinges

HARDWARE LOCATIONS SHOWN ARE BASED ON THE FOLLOWING:

- 5" from header to top of upper hinge.
- 10" from bottom of jamb to bottom of lower hinge.
- Equal spacing between intermediate hinges.



*21/64" represents a measurable approximation to .33".
 *43/64" represents a measurable approximation to .66".

The above 5" hardware locations will be furnished only when agreed to.

Revised 9/14